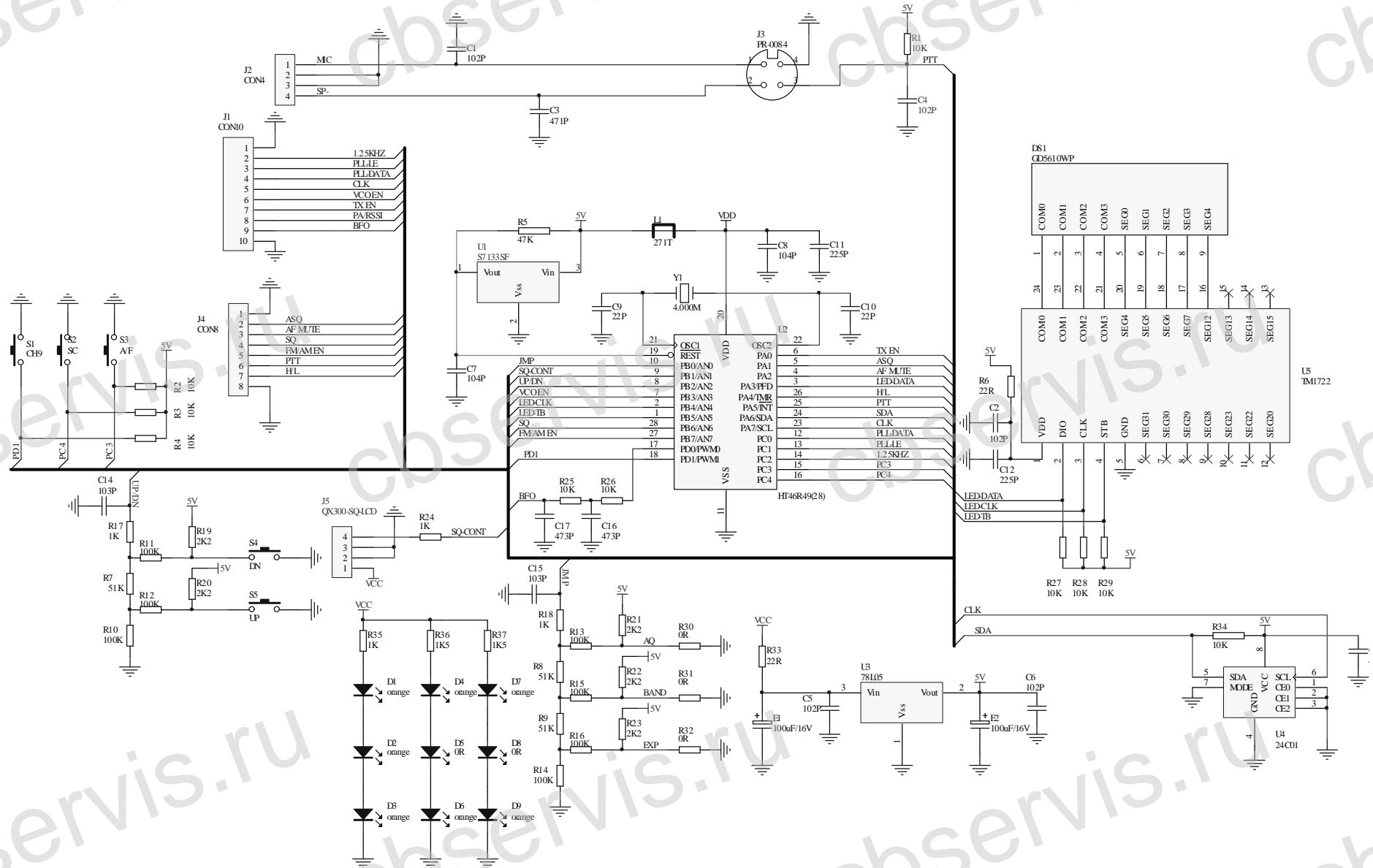
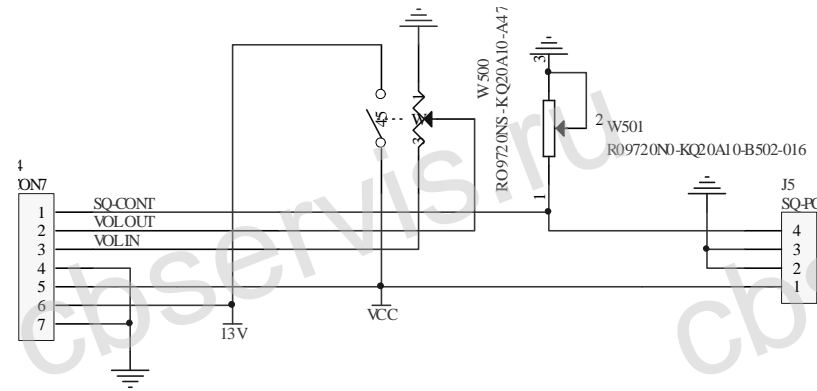


SCHEMATIC DIAGRAM



SCHEMATIC DIAGRAM



SCHEMATIC DIAGRAM

