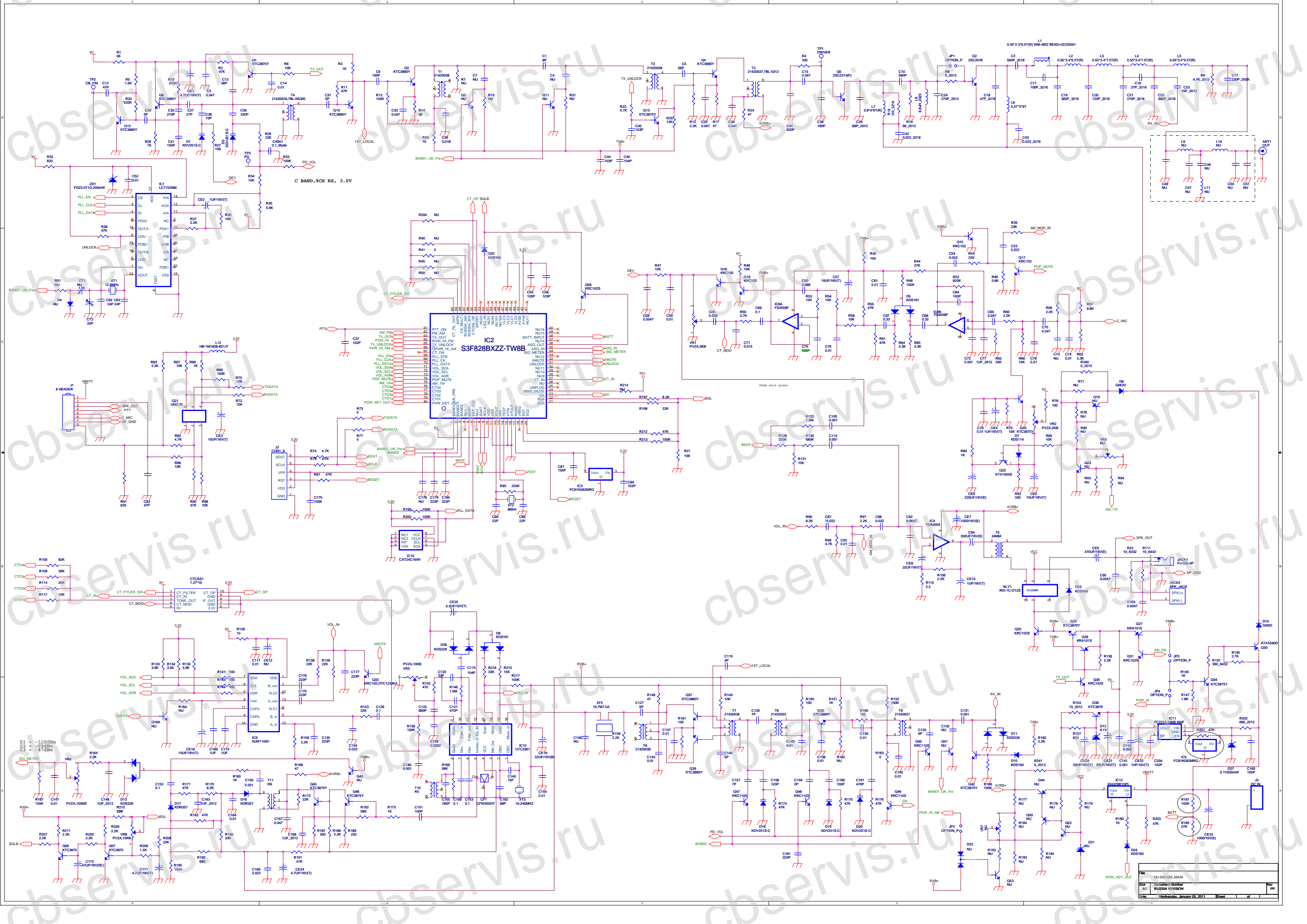
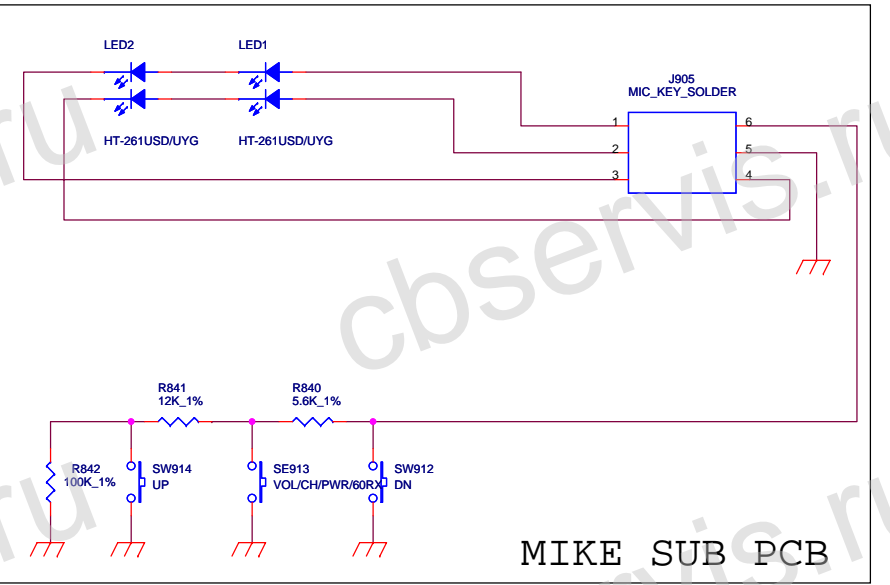
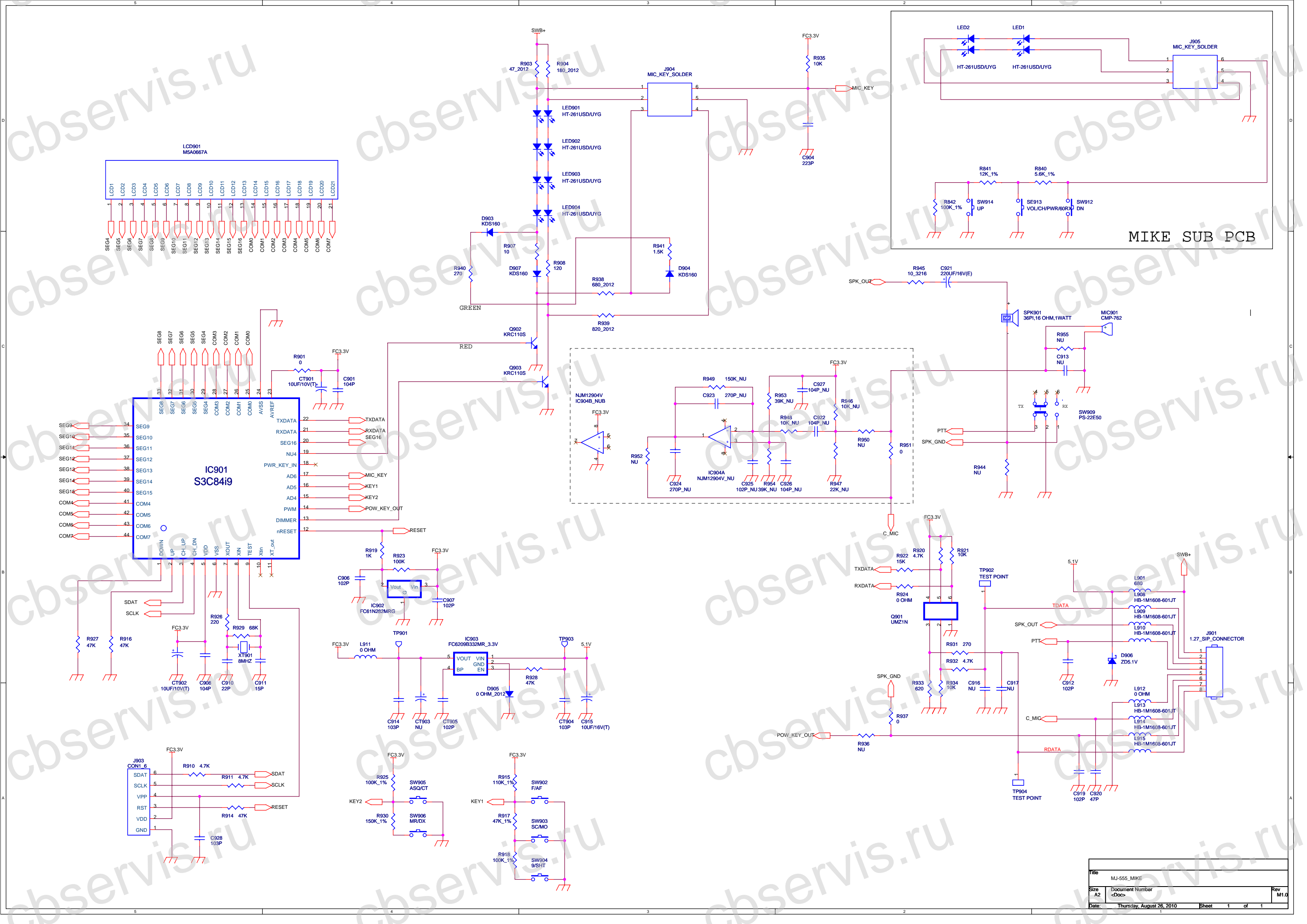


| | | |
|-----------------|---------------------------|--------------|
| Title | | |
| MJ-550-555_CTSS | | |
| Size | Document Number | Rev |
| A4 | CTSS | PP |
| Date: | Monday, November 29, 2010 | Sheet 1 of 1 |





MIKE SUB PCB

| | | | |
|-------|---------------------------|-----------------|--------|
| Title | MJ-555_MIKE | Rev | M1.0 |
| Size | A2 | Document Number | <Doc> |
| Date: | Thursday, August 26, 2010 | Sheet | 1 of 1 |