



Costruzioni Elettroniche

di Marchioni Davide & Daniele s.n.c.

Via IV Novembre 215/5

Casella postale N° 33

40045 Ponte della Venturina (BO) ITALY

Tel +39 0534 60460

Fax +39 0534 60463

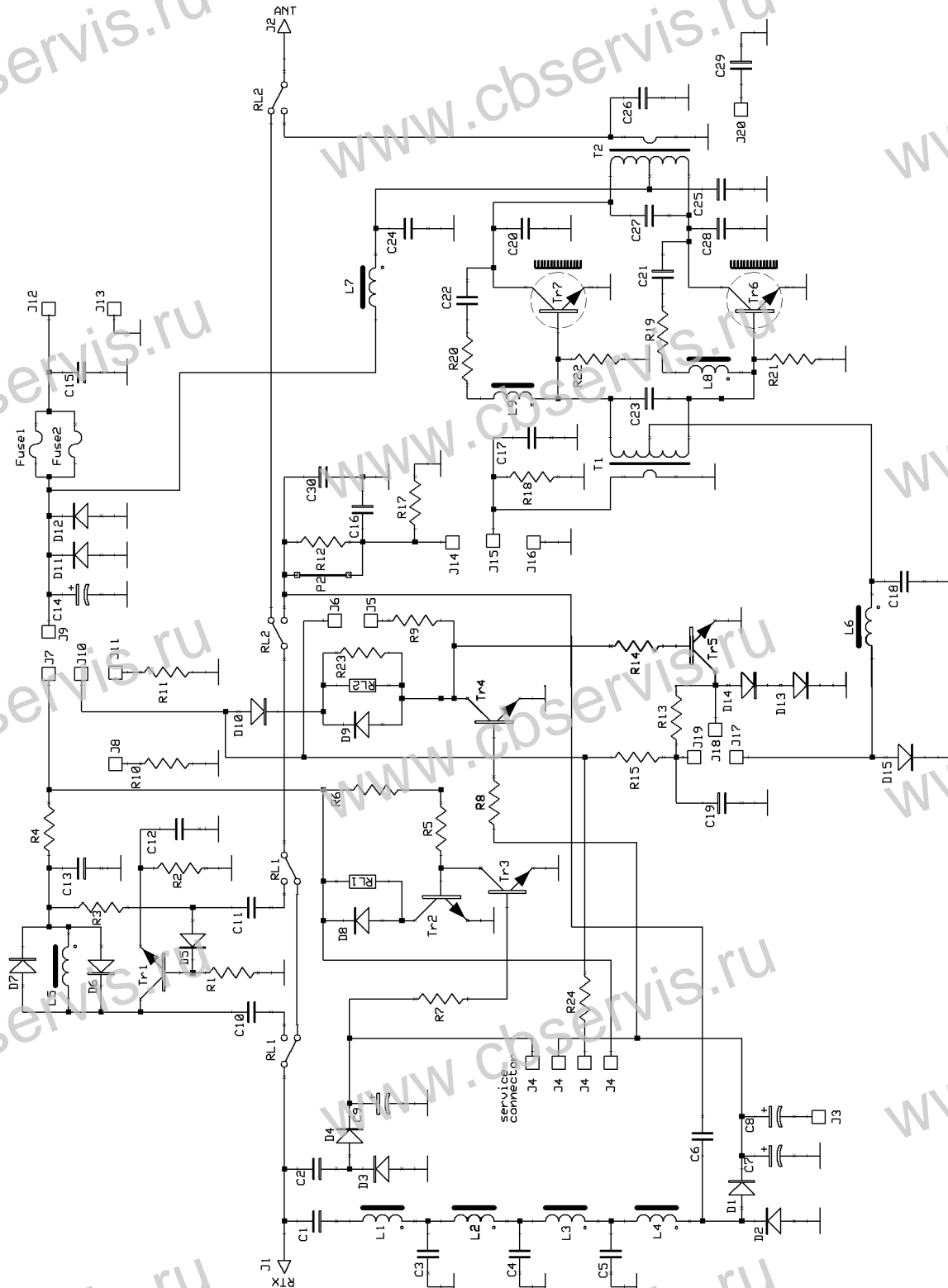
E-MAIL ufftec@rmitaly.com

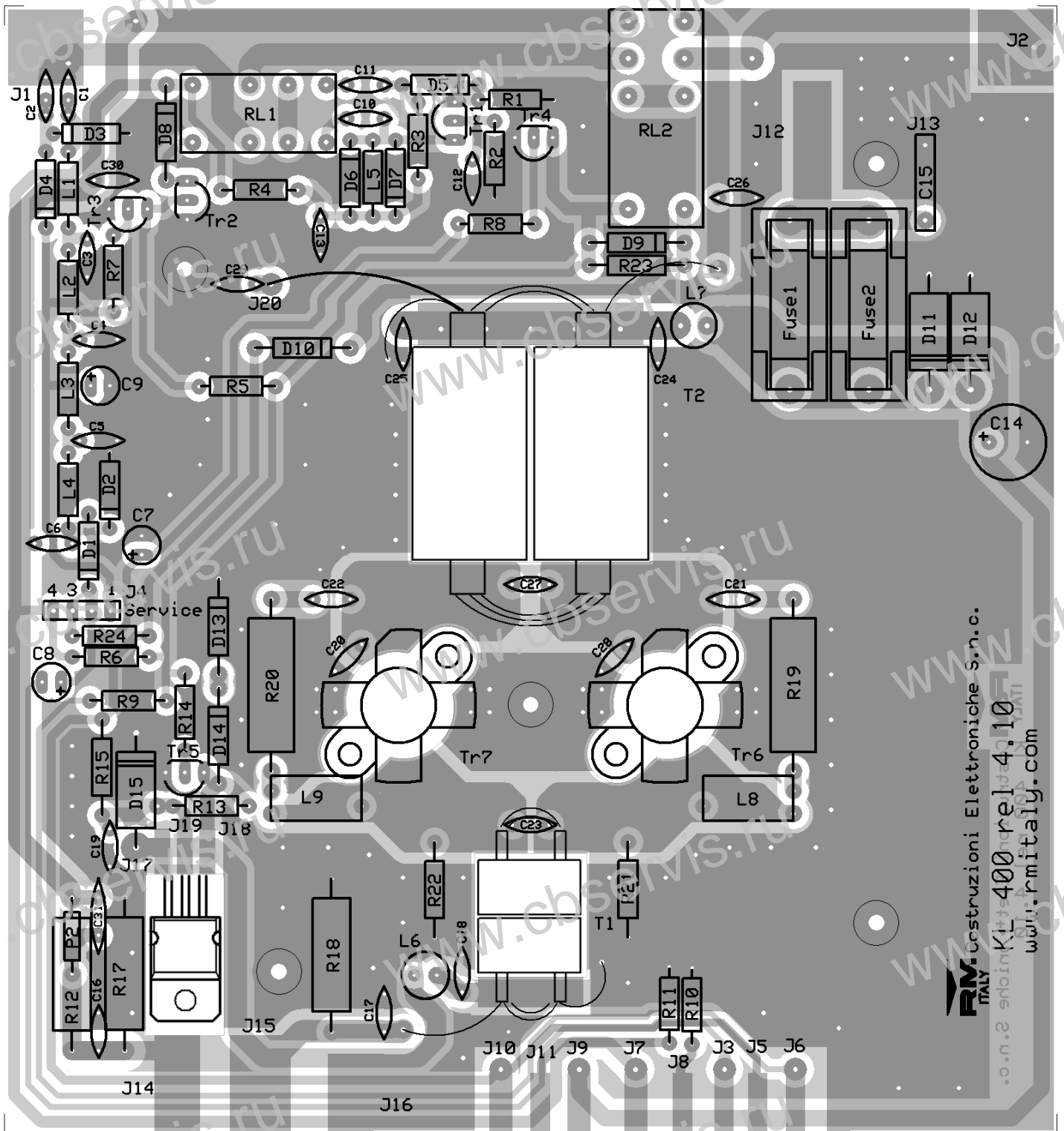
http://www.rmitaly.com

Mod. KL 400 linear amplifier

Schematic diagram

Version 4.10





RM Costruzioni Elettroniche S.n.c.
 ITALY
 Mod KL 400 rel. 4.10
 www.rmitaly.com

List of components

C ₁ = 3,3 pF	50 V	NP0
C ₂ = 8,2 pF	50 V	NP0
C ₃ = 82 pF	50 V	NP0
C ₄ = 100 pF	50 V	NP0
C ₅ = 100 pF	50 V	NP0
C ₆ = 5,6 pF	50 V	NP0
C ₇ = 2,2 μF	16 V	

C ₈ = 33 μF	16 V	
C ₉ = 10 μF	16 V	
C ₁₀ = 150 pF	50 V	NP0
C ₁₁ = 56 pF	50 V	NP0
C ₁₂ = 470 pF	50 V	N750
C ₁₃ = 10 nF	50 V	
C ₁₄ = 470 μF	25V	
C ₁₅ = 470 nF	100 V	Polyester

C ₁₆ = not present	D ₁₂ = 1N5400
C ₁₇ = 180 pF 50 V NP0	D ₁₃ = 1N4004
C ₁₈ = 10 nF 50 V	D ₁₄ = 1N4004
C ₁₉ = 100 nF 50 V	D ₁₅ = 1N5400
C ₂₀ = 220 pF 500 V N750	Tr ₁ = BF 199
C ₂₁ = 47 nF 50 V	Tr ₂ = BC 547
C ₂₂ = 47 nF 50 V	Tr ₃ = BC 547
C ₂₃ = not present	Tr ₄ = BC 547
C ₂₄ = 100 nF 50 V	Tr ₅ = BC 547
C ₂₅ = 100 nF 50 V	Tr ₆ = SD 1446
C ₂₆ = 47 pF 1000 V NP0	Tr ₇ = SD 1446
C ₂₇ = 1300 pF 500 V Silvered mica	L ₁ = 2,2 μH
C ₂₈ = 220 pF 500 V N750	L ₂ = 2,2 μH
C ₂₉ = not present	L ₃ = 2,2 μH
C ₃₀ = not present	L ₄ = 2,2 μH
C ₃₁ = 270 pF 500 V N750	L ₅ = 10 μH
R ₁ = 2,2 KΩ ¼W	L ₆ = VK 200 1 wire
R ₂ = 100 Ω ¼W	L ₇ = VK 200 2 wires
R ₃ = 12 KΩ ¼W	Rl ₁ = Relè 12 V 30229012
R ₄ = 100 Ω ¼W	Rl ₂ = Relè 12 V 41529012
R ₅ = 4,7 KΩ ¼W	Fuse = 2 x 12A 5x20 Fast
R ₆ = 4,7 KΩ ¼W	T ₁ = Input transformer
R ₇ = 2,2 KΩ ¼W	T ₂ = Output transformer
R ₈ = 2,2 KΩ ¼W	
R ₉ = 1,0 KΩ ¼W	
R ₁₀ = 1,0 KΩ ¼W	
R ₁₁ = 1,0 KΩ ¼W	
R ₁₂ = 27 Ω 2W	
R ₁₃ = 1,2 KΩ ¼W	
R ₁₄ = 12 KΩ ¼W	
R ₁₅ = 1,0 Ω ½W	
R ₁₇ = not present	
R ₁₈ = 150 Ω 2W	
R ₁₉ = 68 Ω 2W	
R ₂₀ = 68 Ω 2W	
R ₂₁ = 10 Ω ½W	
R ₂₂ = 10 Ω ½W	
R ₂₃ = not present	
R ₂₄ = 2,2 KΩ ¼W	
D ₁ = 1N4148	
D ₂ = 1N4148	
D ₃ = 1N4148	
D ₄ = 1N4148	
D ₅ = 1N4148	
D ₆ = 1N4148	
D ₇ = 1N4148	
D ₈ = 1N4004	
D ₉ = 1N4004	
D ₁₀ = 1N4004	
D ₁₁ = 1N5400	