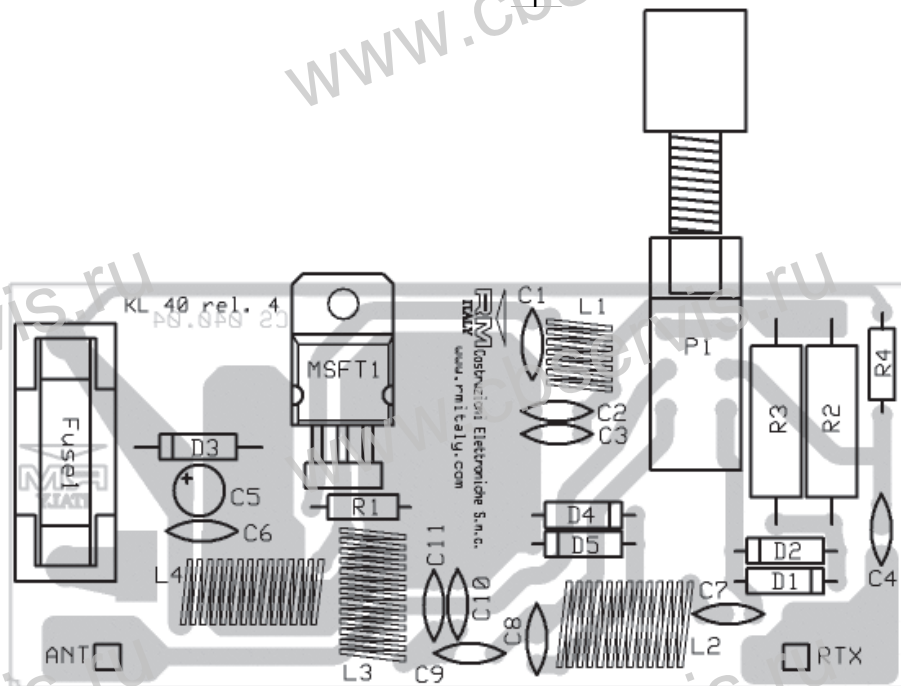
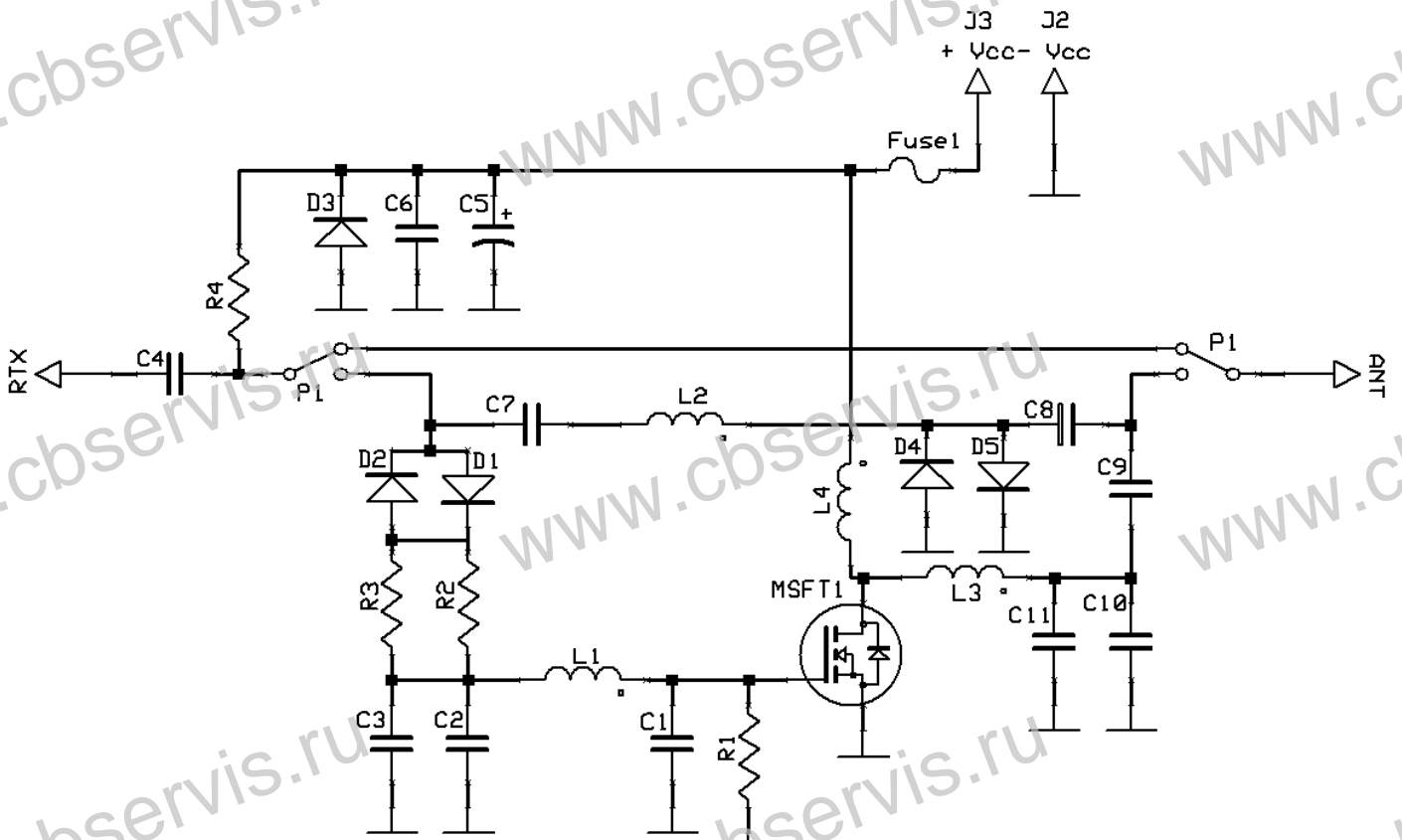




Mod. 40 linear amplifier

Schematic diagram

Version 4.00



List of components

C ₁	= 180 pF	50 V N750
C ₂	= 180 pF	50 V N750
C ₃	= 220 pF	50 V N750
C ₄	= 10 nF	50 V
C ₅	= 10 μF	25 V
C ₆	= 10 nF	50 V
C ₇	= 10 nF	50 V
C ₈	= 33 pF	50 V N750
C ₉	= 180 pF	50 V N750
C ₁₀	= 270 pF	50 V N750
C ₁₁	= 100 pF	50 V N750
R ₁	= 330 Ω	¼W
R ₂	= 68 Ω	2W
R ₃	= 68 Ω	2W
R ₄	= 2,2 KΩ	¼W
D ₁	= 1N4148	
D ₂	= 1N4148	
D ₃	= 1N4007	
D ₄	= 1N4148	
D ₅	= 1N4148	
MSFT ₁	= MOS RM3	
Fuse	= 5A	
P ₁	= Switch	
L ₁	= 7 turns φ 5 mm wire φ 0,8 mm	
L ₂	= 17 turns φ 7 mm wire φ 0,63 mm	
L ₃	= 6 turns φ 5 mm wire φ 0,8 mm	
L ₄	= 12 turns φ 5 mm wire φ 0,8 mm	