



Costruzioni Elettroniche

di Marchioni Davide & Daniele s.n.c.

Via IV Novembre 215/5

Casella postale N° 33

40045 Ponte della Venturina (BO) ITALY

Tel +39 0534 60460

Fax +39 0534 60463

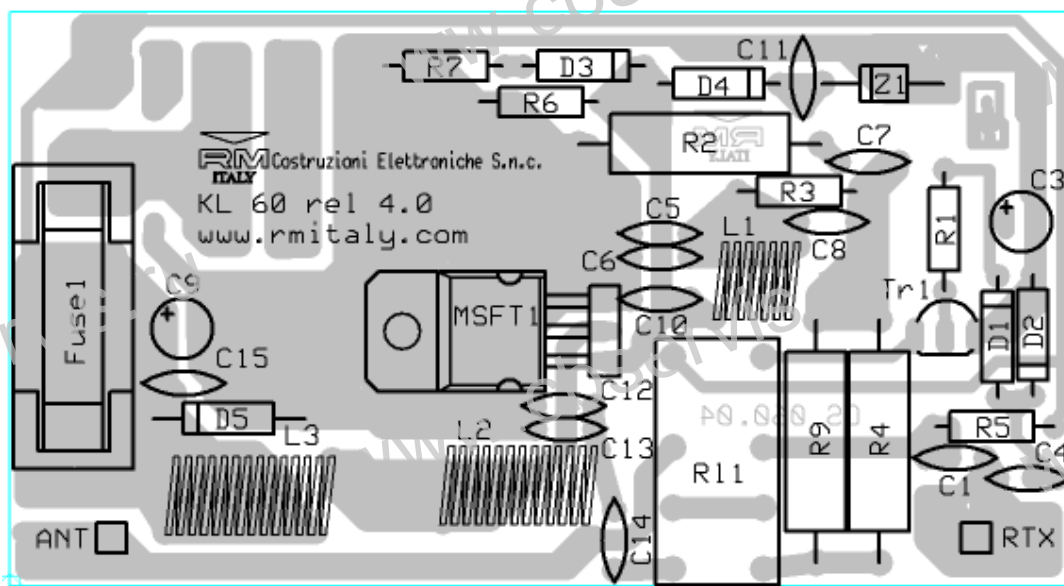
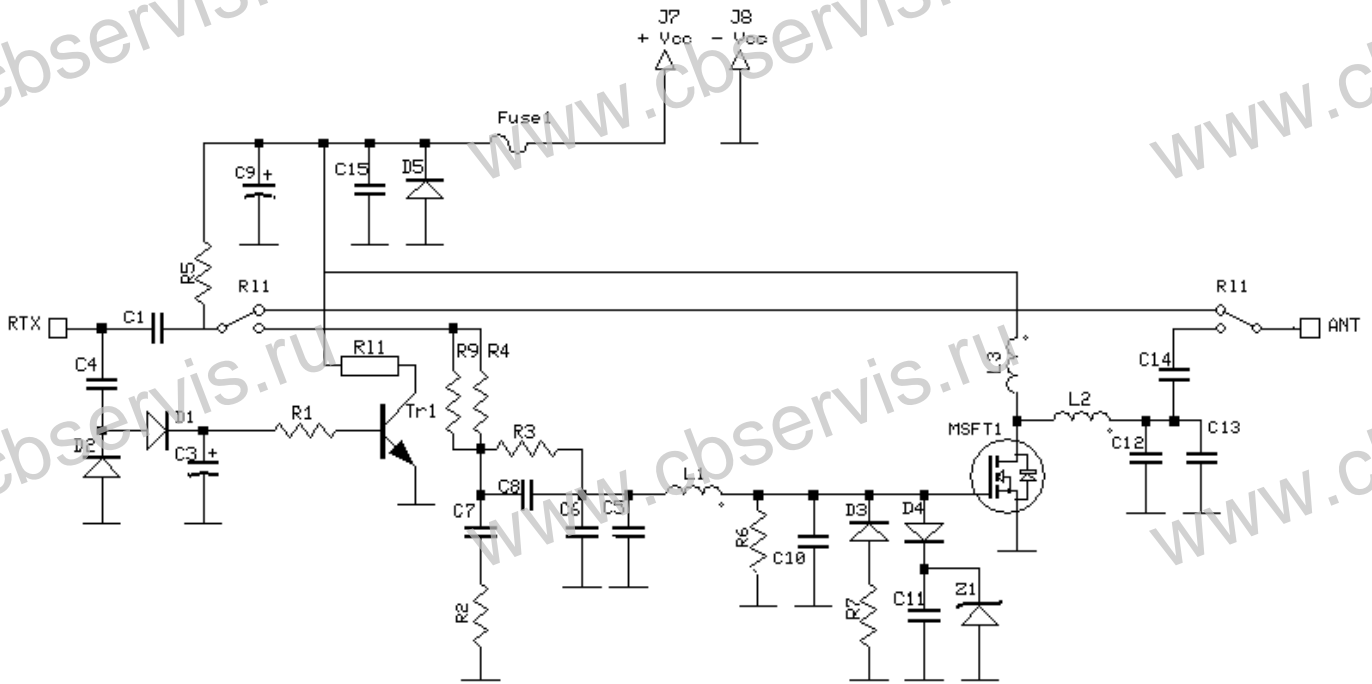
E-MAIL ufftec@rmitaly.com

http://www.rmitaly.com

Mod. KL 35 linear amplifier

Schematic diagram

Version 4.00



List of components

C ₁	= 10 nF	50 V	
C ₃	= 10 μF	16 V	
C ₄	= 8,2 pF	50 V	N750
C ₅	= 220 pF	50 V	N750
C ₆	= 120 pF	50 V	N750
C ₇	= 10 nF	50 V	
C ₈	= 470 pF	50 V	N750
C ₉	= 33 μF	16 V	
C ₁₀	= 270 pF	50 V	N750
C ₁₁	= 10 nF	50 V	
C ₁₂	= 150 pF	50 V	N750
C ₁₃	= 150 pF	50 V	N750
C ₁₄	= 100 pF	50 V	N750
C ₁₅	= 100 nF	50 V	
R ₁	= 2,2 KΩ	¼W	
R ₂	= 100 Ω	2W	
R ₃	= 12 KΩ	¼W	
R ₄	= 68 Ω	2W	
R ₅	= 12 KΩ	¼W	
R ₆	= 4,7 KΩ	¼W	
R ₇	= 1,8 KΩ	½W	
R ₉	= 68 Ω	2W	
D ₁ = D ₂ = D ₃ = D ₄	= 1N4148		
D ₅	= 1N4007		
Z ₁	= Zener	20 V	1W
TR ₁	= BC 547 B		
Msft ₁	= MOS RM3		
L ₁	= 7 turns φ 5 mm wire φ 0,8 mm	ANRA 289-2	
L ₂	= 6 turns φ 5 mm wire φ 0,8 mm	ANRA 289-1	
L ₃	= 12 turns φ 5 mm wire φ 0,8 mm	ANRA 319	
RL ₁	= Relè 12 V 3022		
Fuse	= 5 A		