



# Costruzioni Elettroniche

di Marchioni Davide & Daniele s.n.c.

Via IV Novembre 215/5

Casella postale N° 33

40045 Ponte della Venturina (BO) ITALY

Tel +39 0534 60460

Fax +39 0534 60463

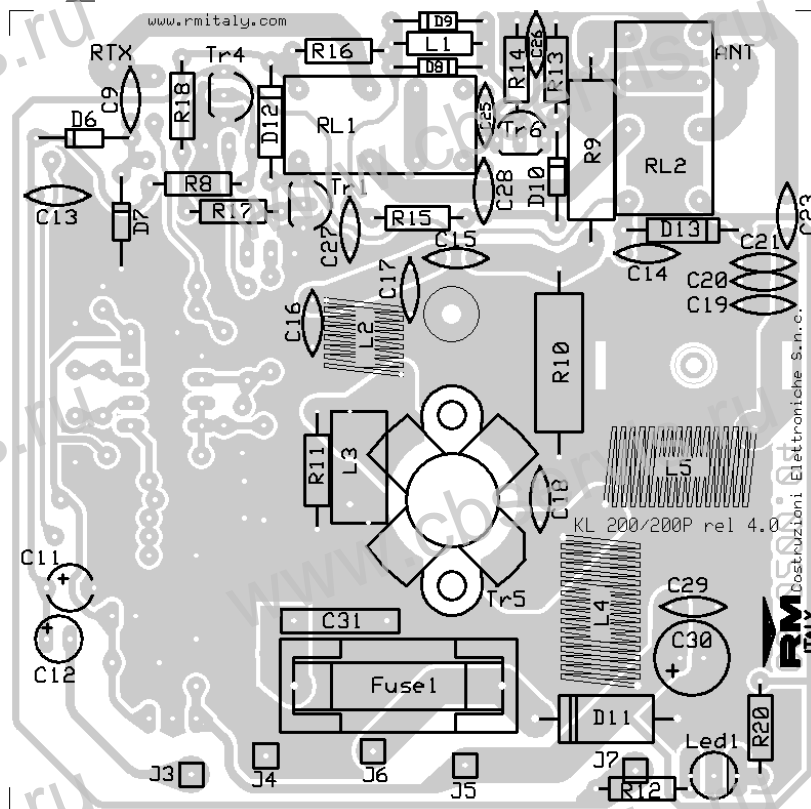
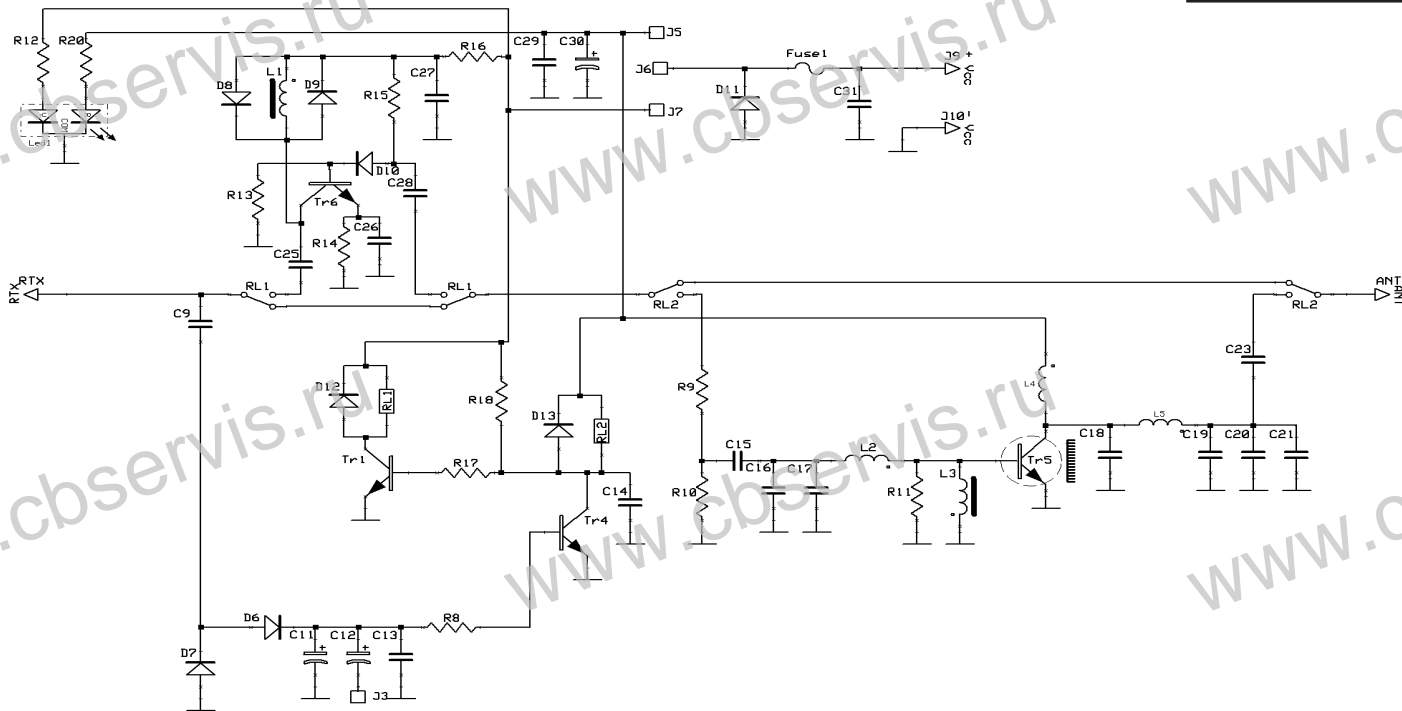
E-MAIL ufftec@rmitaly.com

http://www.rmitaly.com

## KL 200 P linear amplifier

### Schematic diagram

Version 4.10



**List of components**

C <sub>9</sub>	= 8,2 pF	50 V	NP0
C <sub>11</sub>	= 4,7 μF	16 V	
C <sub>12</sub>	= 33 μF	16 V	
C <sub>13</sub>	= 10 nF	50 V	
C <sub>14</sub>	= 10 nF	50 V	
C <sub>15</sub>	= 100 pF	50 V	NP0
C <sub>16</sub>	= 220 pF	50 V	N750
C <sub>17</sub>	= 270 pF	50 V	N750
C <sub>18</sub>	= 120 pF	500 V	NP0
C <sub>19</sub>	= 220 pF	500 V	N750
C <sub>20</sub>	= 270 pF	500 V	N750
C <sub>21</sub>	= 120 pF	500 V	NP0
C <sub>23</sub>	= 1,0 nF	500 V	
C <sub>25</sub>	= 150 pF	50 V	NP0
C <sub>26</sub>	= 470 pF	50 V	N750
C <sub>27</sub>	= 10 nF	50 V	
C <sub>28</sub>	= 56 pF	50 V	NP0
C <sub>29</sub>	= 100 nF	50 V	
C <sub>30</sub>	= 47 μF	16 V	
C <sub>31</sub>	= 470 nF	100 V	Polyester
R <sub>8</sub>	= 2,2 KΩ	¼W	
R <sub>9</sub>	= 22 Ω	2W	
R <sub>10</sub>	= 120 Ω	2W	
R <sub>11</sub>	= 10 Ω	½W	
R <sub>12</sub>	= 1,0 KΩ	¼W	
R <sub>13</sub>	= 2,2 KΩ	¼W	
R <sub>14</sub>	= 100 Ω	¼W	
R <sub>15</sub>	= 12 KΩ	¼W	
R <sub>16</sub>	= 100 Ω	¼W	
R <sub>17</sub>	= 12 KΩ	¼W	
R <sub>18</sub>	= 10 KΩ	¼W	
R <sub>20</sub>	= 1,0 KΩ	¼W	
D <sub>6</sub>	= 1N4148		
D <sub>7</sub>	= 1N4148		
D <sub>8</sub>	= 1N4148		
D <sub>9</sub>	= 1N4148		
D <sub>10</sub>	= 1N4148		
D <sub>11</sub>	= 1N5400		
D <sub>12</sub>	= 1N4007		
D <sub>13</sub>	= 1N4007		
Led <sub>1</sub>	= Led bicolore		
TR <sub>1</sub>	= BC 547		
TR <sub>4</sub>	= BC 547		
TR <sub>5</sub>	= SD 1446		
TR <sub>6</sub>	= BF 199		
L <sub>1</sub>	= 10 μH		
L <sub>2</sub>	= 3 turns φ 8 mm wire φ 0,8 mm	ANRA 289	
L <sub>3</sub>	= VK200		

L <sub>4</sub>	= 12 turns φ 6 mm wire φ 1 mm	ANRA 455
L <sub>5</sub>	= 3 turns φ 7,5 mm wire φ 1,2 mm	ANRA 289/3
RI <sub>1</sub>	= Relè 12 V 3022	
RI <sub>2</sub>	= Relè 12 V 3022	
Fuse	= 12 A	