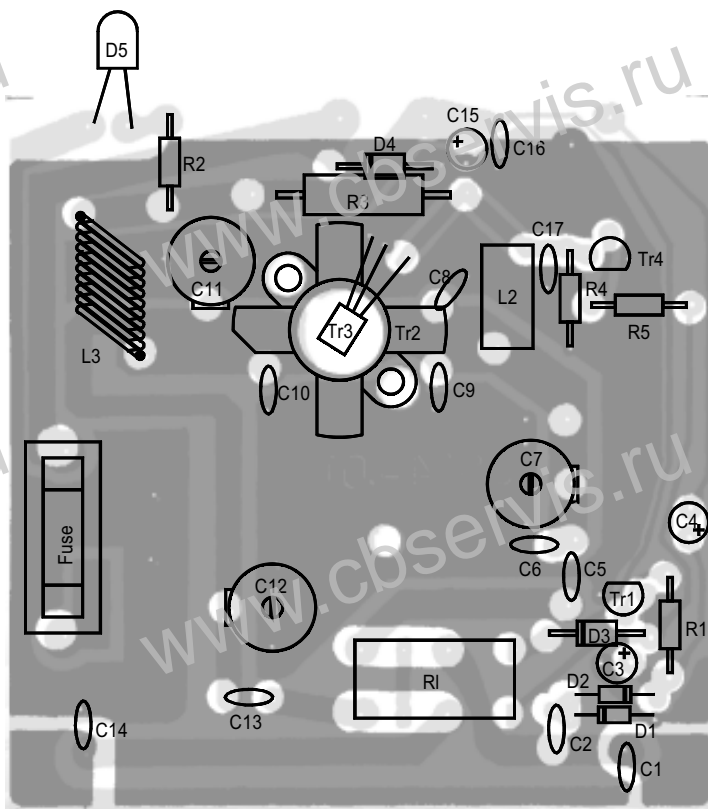
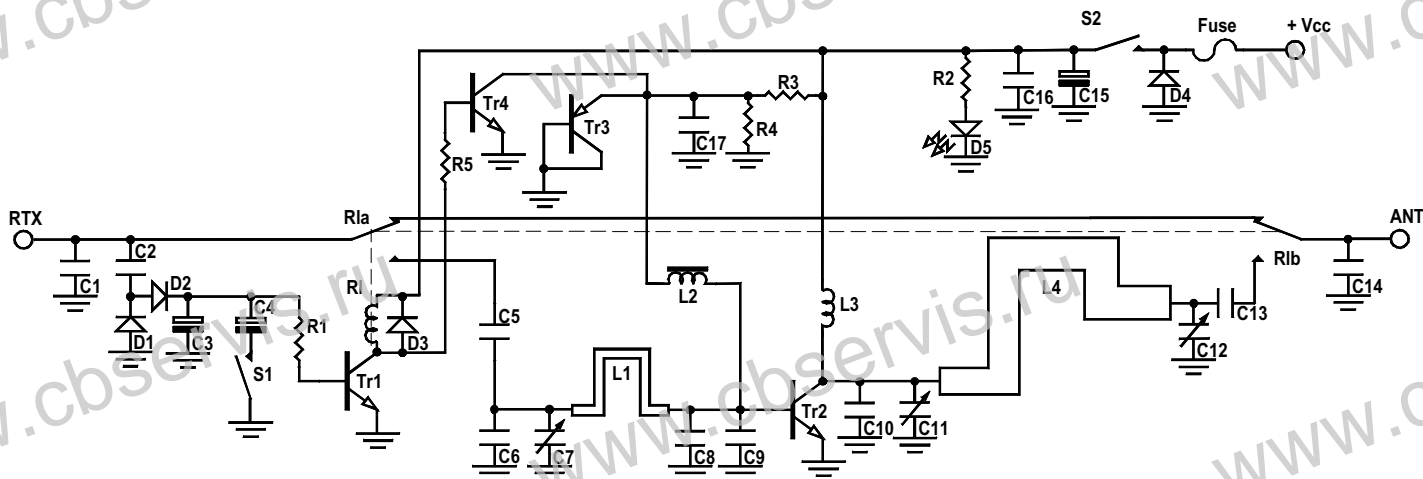




Mod. 155 linear amplifier

Schematic diagram

Version 2.00



List of components

C ₁	= 3,3 pF	50 V	N750
C ₂	= 2,2 pF	50 V	N750
C ₃	= 2,2 μF	16 V	
C ₄	= 22 μF	16 V	
C ₅	= 100 pF	50 V	N750
C ₆	= 47 pF	50 V	N750
C ₇	= Trimmer	10 - 80 pF	
C ₈	= 47 pF	50 V	N750
C ₉	= 47 pF	50 V	N750
C ₁₀	= 68 pF	500 V	N750
C ₁₁	= Trimmer	10 - 80 pF	
C ₁₂	= Trimmer	10 - 80 pF	
C ₁₃	= 22 pF	500 V	N750
C ₁₄	= 3,3 pF	50 V	N750
C ₁₅	= 47 μF	16 V	
C ₁₆	= 10 nF	50 V	
C ₁₇	= 10 nF	50 V	
R ₁	= 2,2 KΩ	¼W	
R ₂	= 1,0 KΩ	¼W	
R ₃	= 120 Ω	2W	
R ₄	= 10 Ω	½W	
R ₅	= 12 KΩ	¼W	
D ₁ = D ₂	= 1N4148		
D ₃ = D ₄	= 1N4004		
D ₅	= Led rosso		
Tr ₁ = Tr ₄	= BC 547		
Tr ₂	= SD1446		
Tr ₃	= BC 557		
L ₁	= Strip line		
L ₂	= VK 200		
L ₃	= 12 turns φ 6 mm wire φ 1 mm		
L ₄	= Strip line		
RI	= Relè 12 V 3022		
Fuse	= 5 A		
S ₁	= Switch (SSB - FM)		
S ₂	= Switch (ON - OFF)		