



Costruzioni Elettroniche

di Marchioni Davide & Daniele s.n.c.

Via IV Novembre 215/5

Casella postale N° 33

40045 Ponte della Venturina (BO) ITALY

Tel +39 0534 60460

Fax +39 0534 60463

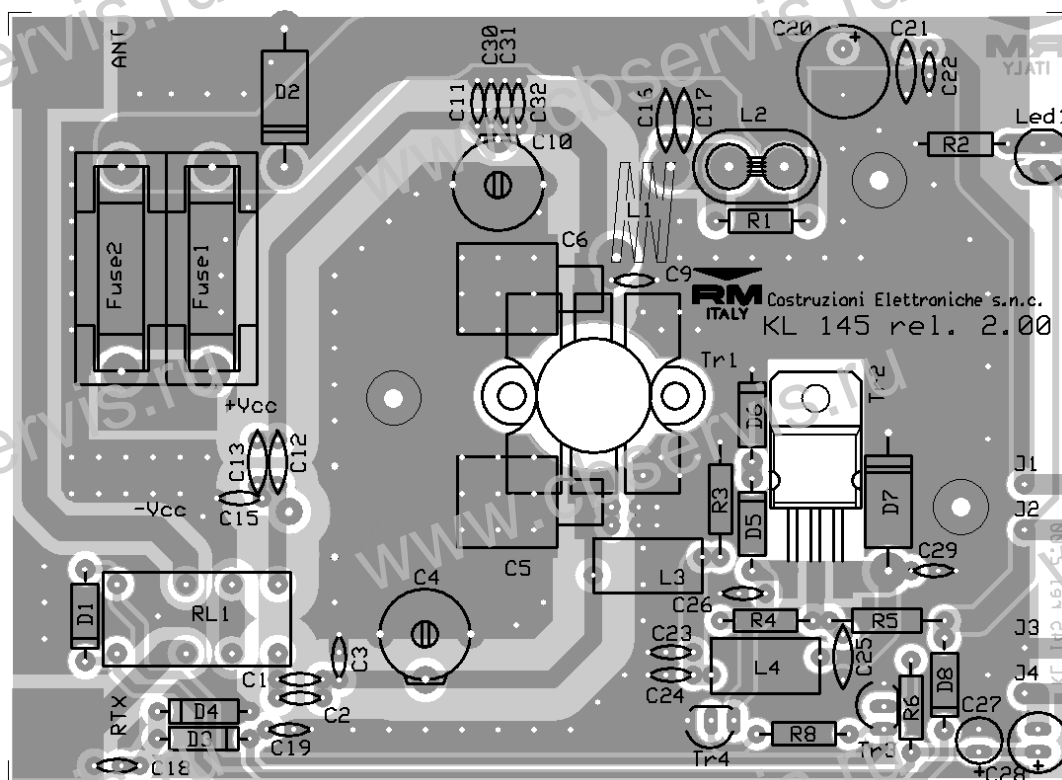
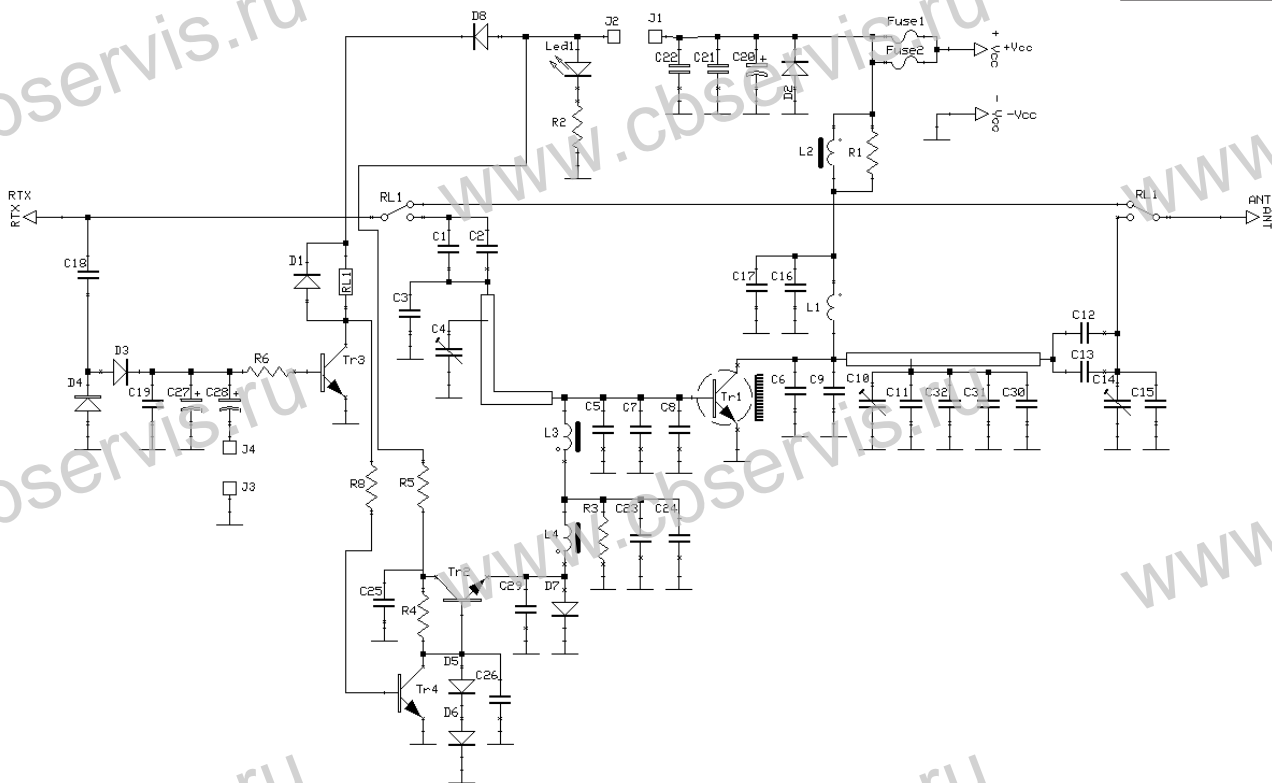
E-MAIL ufftec@rmitaly.com

http://www.rmitaly.com

Mod. 145 High linear amplifier

Schematic diagram

Version 2.01



List of components

C ₁ = 100 pF	50 V	NP0	Tr ₂ = BD 241 BFP
C ₂ = 100 pF	50 V	NP0	Tr ₃ = BC 547
C ₃ = Not present			Tr ₄ = BC 547
C ₄ = Trimmer	5.5 - 65 pF	Philips giallo	L ₁ = 3 turns ϕ 8 mm wire ϕ 1.5 mm
C ₅ = 220 pF	500 V	Mica placchetta	L ₂ = 2 turns 3 wire ϕ 0.63 on ANRA 41 balum
C ₆ = 390 pF	500 V	Mica placchetta	L ₃ = VK200
C ₇ = Not present			L ₄ = VK200
C ₈ = Not present			RI = Relè 12 V 3022
C ₉ = 33 pF	500 V	NP0	Fuse ₁ = Fuse ₂ = 2 x 8A
C ₁₀ = Trimmer	5.5 - 65 pF	Philips giallo	
C ₁₁ = 15 pF	500 V	NP0	
C ₁₂ = 2,2 nF	500 V	J	
C ₁₃ = 2,2 nF	500 V	J	
C ₁₄ = Not present			
C ₁₅ = 15 pF	500 V	NP0	
C ₁₆ = 2,2 nF	500 V	J	
C ₁₇ = 1,0 nF	500 V	J	
C ₁₈ = 2,2 pF	50 V	NP0	
C ₁₉ = 1,0 nF	50 V	J	
C ₂₀ = 470 μ F	25 V		
C ₂₁ = 100 nF	50 V	J	
C ₂₂ = 1,0 nF	50 V	J	
C ₂₃ = 1,0 nF	50 V	J	
C ₂₄ = 220 nF	63 V	Multilayer	
C ₂₅ = 1,0 nF	50 V	J	
C ₂₆ = 1,0 nF	50 V	J	
C ₂₇ = 2,2 μ F	16 V		
C ₂₈ = 33 μ F	16 V		
C ₂₉ = 1,0 nF	50 V	J	
C ₃₀ = 15 pF	500 V	NP0	
C ₃₁ = 15 pF	500 V	NP0	
C ₃₂ = Not present			
R ₁ = 10 Ω	$\frac{1}{4}$ W		
R ₂ = 1,0 K Ω	$\frac{1}{4}$ W		
R ₃ = 4,7 Ω	$\frac{1}{2}$ W		
R ₄ = 1,2 K Ω	$\frac{1}{4}$ W		
R ₅ = 1,0 Ω	$\frac{1}{2}$ W		
R ₆ = 2,2 K Ω	$\frac{1}{4}$ W		
R ₈ = 10 K Ω	$\frac{1}{2}$ W		
D ₁ = 1N4007			
D ₂ = 1N5400			
D ₃ = D ₄ = 1N4148			
D ₅ = D ₆ = 1N4007			
D ₇ = 1N5400			
D ₈ = 1N4007			
Led ₁ = Red Led			
Tr ₁ = SD1477			